



Republic Vacuum Pump VRT-440

R E P U B L I C
Vacuum Pumps®

Republic offers the VRT-440 dry running rotary vane vacuum pump with integral suction air filter. Sound cover reduces noise level, enhances cooling and protects operator from touching hot surfaces. Flexible connections possible, low pulsation, easy to operate, maintain and install.

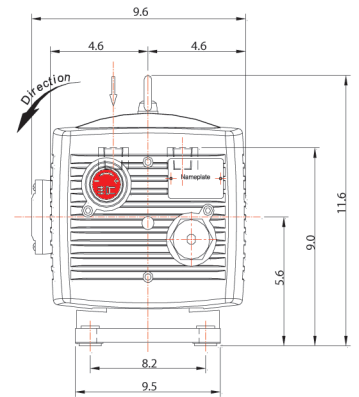
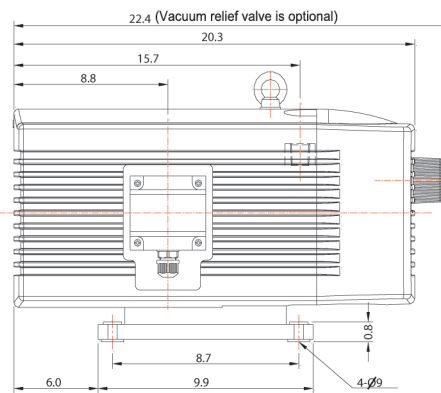
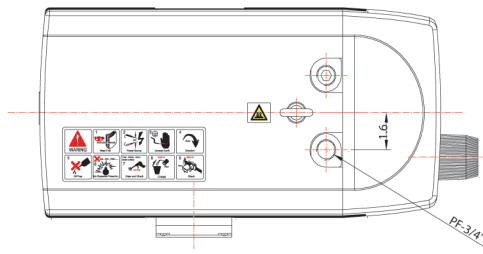


Advantages

- ▲ Absolutely oil free
- ▲ Free moving vanes
- ▲ Lower Initial Cost
- ▲ Higher Vacuum Capabilities

Product Options

- ▲ Air filter (recommended)
- ▲ Vacuum regulating valve
- ▲ Non-return valve



Model	Capacity Max cfm		Ultimate Vacuum Max. (in Hg)		Motor Output Full Load (HP)		Voltage 3Phase (V)		Noise Level (dB)		Weight (lb)
	50 Hz	60 Hz	50 Hz	60 Hz	50 Hz	60 Hz	50 Hz	60 Hz	50 Hz	60 Hz	
VRT-440	23.5	28.2	25	25	1.7	2.0	190-254 330-440	190-290 330-500	67	72	84.7



REPUBLIC
Vacuum Pumps®

Republic Pressure Pump VRT-440

VRT-440 Vacuum Curves

