



Republic Vacuum Pump VRT-408

R E P U B L I C
Vacuum Pumps®

Republic offers the VRT-408 dry running rotary vane vacuum pump with integral suction air filter. Sound cover reduces noise level, enhances cooling and protects operator from touching hot surfaces. Flexible connections possible, low pulsation, easy to operate, maintain and install.

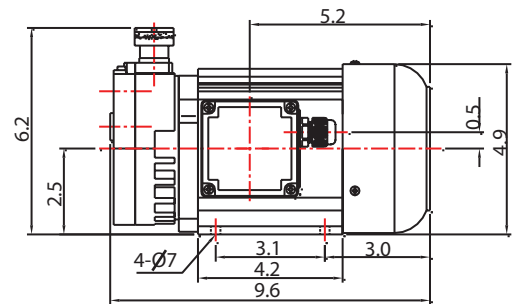
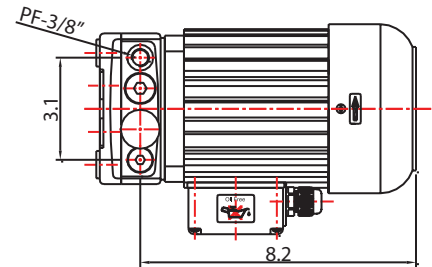
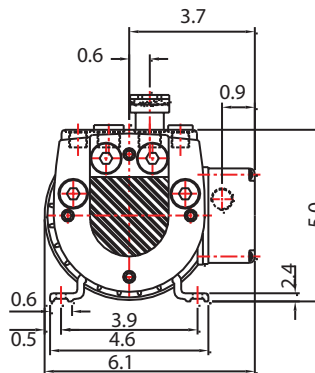


Advantages

- ▲ Absolutely oil-free
- ▲ Free moving vanes
- ▲ Lower initial cost
- ▲ Higher vacuum capabilities

Product Options

- ▲ Air filter (recommended)
- ▲ Vacuum regulating valve
- ▲ Non-return valve



Model	Capacity Max cfm		Ultimate Vacuum Max. (in Hg)		Motor Output Full Load (HP)		Voltage 3Phase (V)		Noise Level (dB)		Weight (lb)
	50 Hz	60 Hz	50 Hz	60 Hz	50 Hz	60 Hz	50 Hz	60 Hz	50 Hz	60 Hz	
VRT-408	4.5	5.1	25.1	25.1	0.47	0.56	220/240V	220/240V	60	61	26.4



Republic Vacuum Pump VRT-408

VRT-408 Vacuum Curves

REPUBLIC
Vacuum Pumps®

— 60 Hz
- - 50 Hz

