



Republic Vacuum Pump VRT-404

R E P U B L I C
Vacuum Pumps®

Republic offers the VRT-404 dry running rotary vane vacuum pump with integral suction air filter. Sound cover reduces noise level, enhances cooling and protects operator from touching hot surfaces. Flexible connections possible, low pulsation, easy to operate, maintain and install.

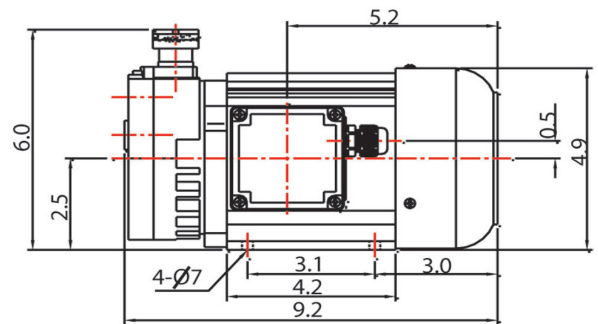
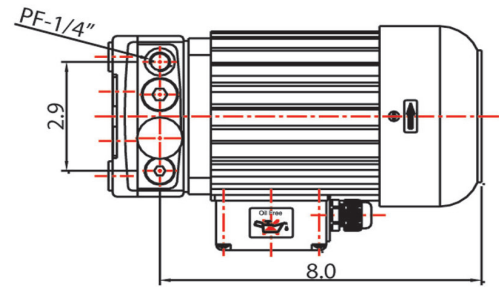
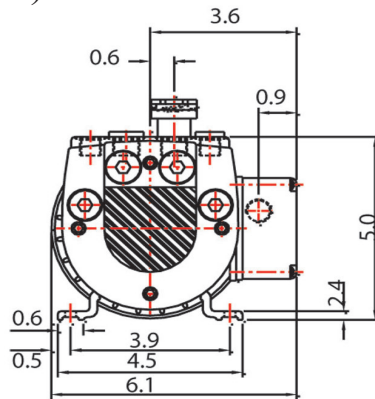


Advantages

- ▲ Absolutely oil-free
- ▲ Free moving vanes
- ▲ Lower initial cost
- ▲ Higher vacuum capabilities

Product Options

- ▲ Air filter (recommended)
- ▲ Vacuum regulating valve
- ▲ Non-return valve



Model	Capacity Max cfm		Ultimate Vacuum Max. (in Hg)		Motor Output Full Load (HP)		Voltage 3Phase (V)		Noise Level (dB)		Weight (lb)
	50 Hz	60 Hz	50 Hz	60 Hz	50 Hz	60 Hz	50 Hz	60 Hz	50 Hz	60 Hz	
VRT-404	2.4	2.8	25.1	25.1	0.24	0.29	△208/255 Y 360/440	△220/265 Y 380/460	59	61	16.5



REPUBLIC
Vacuum Pumps®

Republic Pressure Pump VRT-404

VRT-404 Vacuum Curves

Flow Rate vs. Vacuum

— 60 Hz
- - 50 Hz

