



R E P U B L I C
Vacuum Pumps®

Republic Vacuum Pump RX 63

Republic offers the RX 63 oil lubricated rotary vane vacuum pump. Single stage, air-cooled, and direct-driven, the design is one of the most reliable and simplest pumps available.

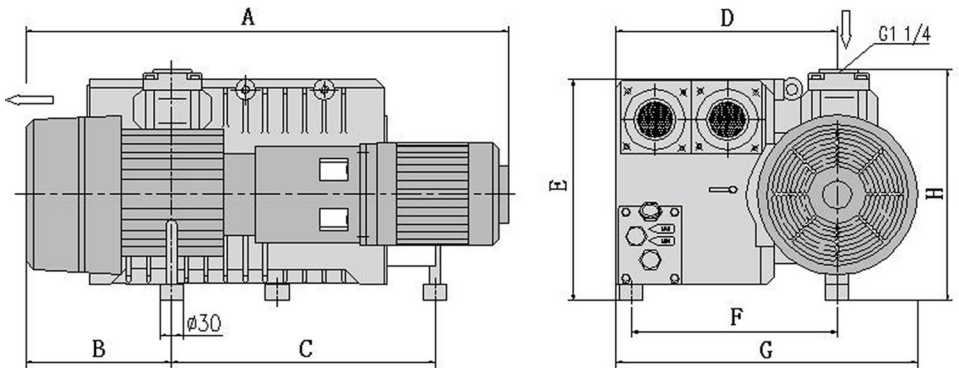
Advantages

- ▲ Continuous Duty
- ▲ Simple Maintenance
- ▲ Higher Vacuum Capabilities
- ▲ Easy to Install
- ▲ Quiet Operation



Product Options

- ▲ Air Filter (recommended)
- ▲ Vacuum Regulating Valve
- ▲ Exhaust Silencer
- ▲ Vacuum Gauge



Model	A	B	C	D	E	F	G	H
RX-63	25.9	5.9	10.6	11.6	11.2	10.9	16.9	11.6

Model	Capacity Max cfm		Ultimate Vacuum Max. (in Hg)		Motor Output Full Load (HP)		Voltage 3Phase (V)		Noise Level (dB)		Weight (lb)
	50 Hz	60 Hz	50 Hz	60 Hz	50 Hz	60 Hz	50 Hz	60 Hz	50 Hz	60 Hz	
RX-63	37.0	44.7	29.92	29.92	2.0	5.0	230-380	230-460	65.0	65.0	106



Republic Vacuum Pump RX 63

REPUBLIC
Vacuum Pumps®

RX 63 Vacuum Curves

