



R E P U B L I C
Vacuum Pumps®

Republic Vacuum Pump RX 302

Republic offers the RX 302 oil lubricated rotary vane vacuum pump. Single stage, air-cooled, and direct-driven, the design is one of the most reliable and simplest pumps available.

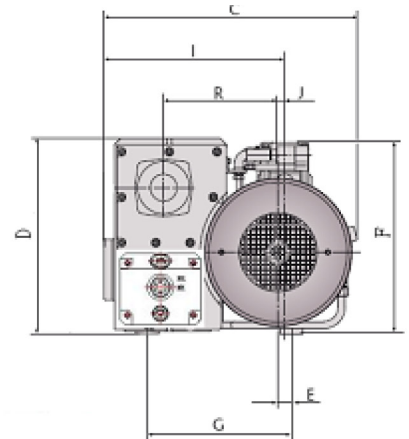
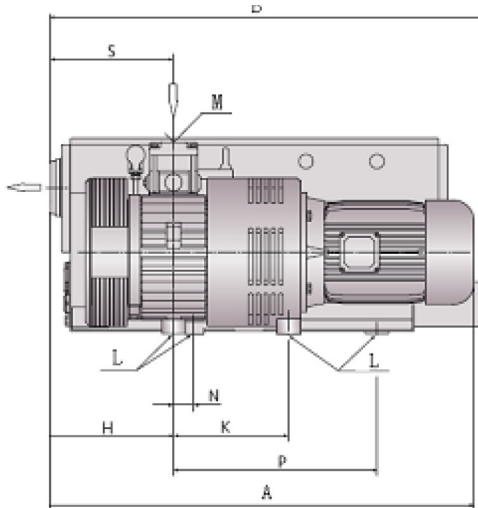
Advantages

- ▲ Continuous Duty
- ▲ Simple Maintenance
- ▲ Higher Vacuum Capabilities
- ▲ Easy to Install
- ▲ Quiet Operation



Product Options

- ▲ Air Filter (recommended)
- ▲ Vacuum Regulating Valve
- ▲ Exhaust Silencer
- ▲ Vacuum Gauge



A	B	C	D	E	F	G	H	I	J	K	L	M	N	P
33.70	39.76	22.05	17.32	1.48	16.93	13.98	10.24	15.16	1.08	11.81	4*M10	2	1.57	15.35

Model	Capacity Max cfm		Ultimate Vacuum Max. (in Hg)		Motor Output Full Load (HP)		Voltage 3Phase (V)		Noise Level (dB)		Weight (lb)
	50 Hz	60 Hz	50 Hz	60 Hz	50 Hz	60 Hz	50 Hz	60 Hz	50 Hz	60 Hz	
RX-302	176.6	212.0	29.92	29.92	7.5	10.0	220-380	230-460	76.0	76.0	465

5131 Cash Road ▲ Dallas, TX 75247 ▲ P 214.631.8070 ▲ F 214.631.3673 ▲ 800.847.0380

www.republicsales.com



Republic Vacuum Pump RX 302

REPUBLIC
Vacuum Pumps®

RX 302 Vacuum Curves

