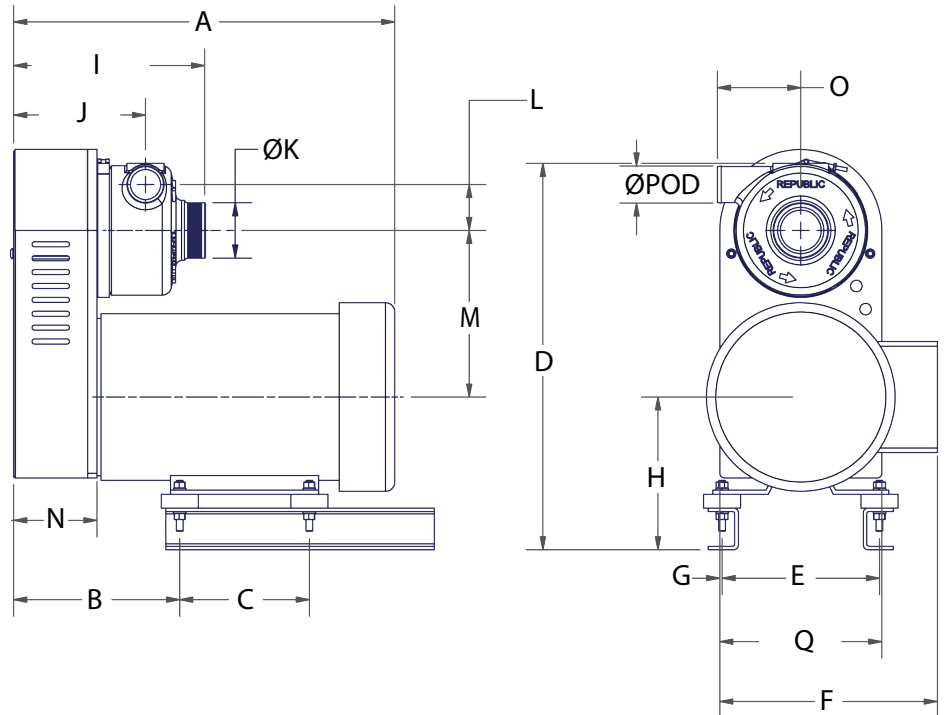
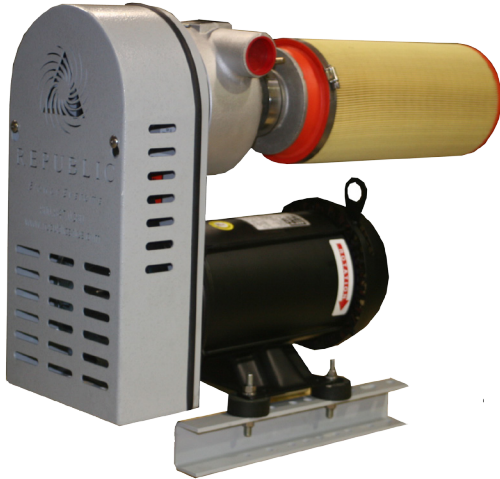




# Republic Centrifugal Blower RB 500

REPUBLIC  
Blower Systems®



## RB 500 Specifications

- ▲ 3-7.5 Horsepower – Up to 20,000 RPM
- ▲ Self-Tensioning Belt
- ▲ Smallest Footprint – Ideal Inside Machine Cabinets
- ▲ Ceramic Hybrid Bearings
- ▲ Multi-lip Seals on Both Ends of the Shaft
- ▲ Easy to Remove Bearing/Impeller Housing for Quick Repair
- ▲ Lightweight, Small Envelope Design
- ▲ Hard Anodized (optional)
- ▲ Blower Outlet Discharge is Rotatable
- ▲ Precision Balanced Shaft/Impeller Assemblies
- ▲ Zinc Plated Steel Motor Pulley
- ▲ Stainless Steel Blower Pulley
- ▲ Aluminum Blower Housing
- ▲ 6061 T6 Aluminum Impeller
- ▲ Bearing Housing is Steel Construction for Extra Rigidity
- ▲ 10 Groove Belt for Long Life
- ▲ Inlet and Outlet Flanges Available
- ▲ Enclosures for Noise Control (optional)
- ▲ Exhaust Silencer (optional)
- ▲ Operational with all Types of Motors– Washdown, Explosion Proof, High Efficiency and Hydraulic
- ▲ 100% Operational Performance and Vibration Tested
- ▲ One Year Warranty
- ▲ Water-cooled Blower Available
- ▲ 2" Discharge

HP		A	B	C	D	E	F	G	H	I	J	K	L	M	N	O	P	Q
3	in	17	8	4	20	7.5	9.5	5/8	7.5	10	7	2	2.98	2.5	4.5	4.5	4.5	9
	mm	433	206	114	511	190.5	286	16	190.5	263.5	181	50.8	75.7	63.5	12.7	114.3	222	228.6
5	in	18	8	5.5	20	7.5	10	5/8	7.5	10	7	2	2.98	2.5	4.5	4.5	4.5	9
	mm	433	206	139.7	511	190.5	286	16	190.5	263.5	181	50.8	75.7	63.5	12.7	114.3	222	228.6
7.5	in	20.5	9	5.5	21	8.5	12	1/8	8	10	7	2	2.98	2.5	4.5	4.5	4.5	9
	mm	508	228.6	140	530	216	314	2	209.5	263.5	181	50.8	75.7	63.5	12.7	114.3	222	228.6

HP	Est. WGT. (lbs)	Est. WGT. (kg)
3	128	58
5	142	64
7.5	163	74

Retro Kit Est. WGT. (lbs)	50
---------------------------	----

Noise without enclosure	82 dB
Noise with enclosure	75 dB



# Republic Centrifugal Blower Performance Curves

REPUBLIC  
Blower Systems®

## 50Hz

## 60Hz

