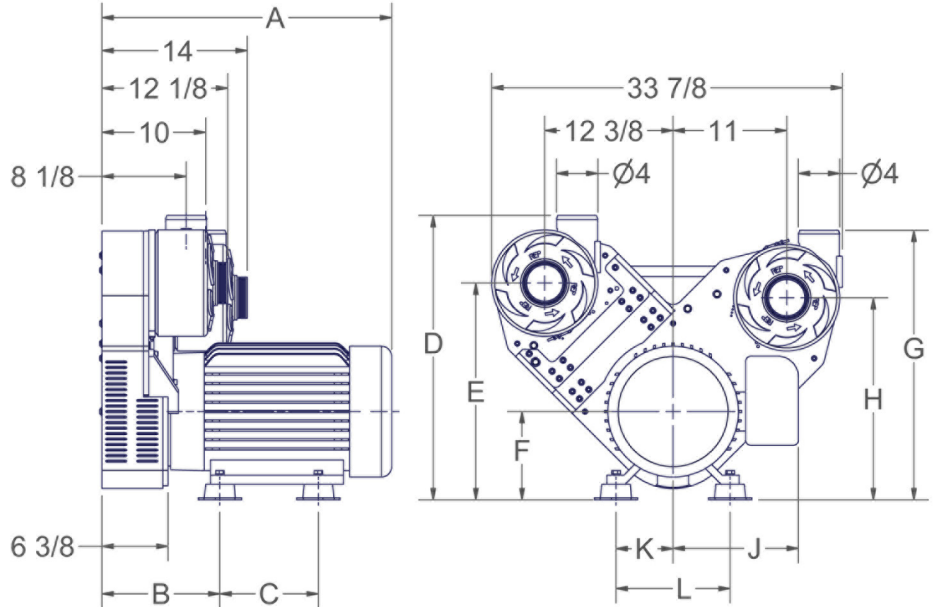
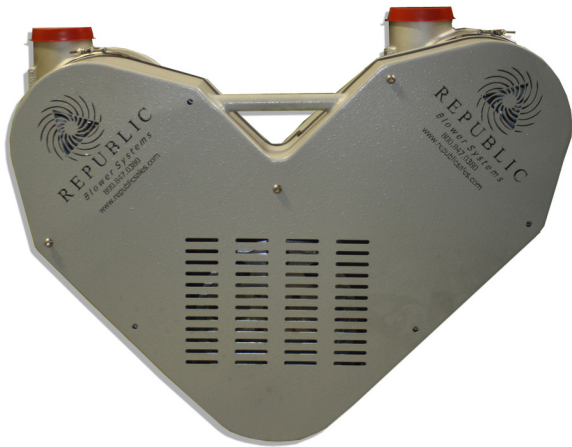




Republic Centrifugal Blower RB 2400

REPUBLIC
Blower Systems®



RB 2400 Specifications

- ▲ 10-50 Horsepower – Up to 20,000 RPM
- ▲ Most Versatile, Providing Local Mounting
- ▲ Ceramic Hybrid Bearings
- ▲ Multi-lip Seals on Both Ends of the Shaft
- ▲ Easy to Remove Bearing/Impeller Housing for Quick Repair
- ▲ Hard Anodized (optional)
- ▲ Blower Outlet Discharge is Rotatable 360°
- ▲ Precision Balanced Shaft/Impeller Assemblies
- ▲ Zinc Plated Steel Motor Pulley
- ▲ Stainless Steel Blower Pulley
- ▲ Aluminum Blower Housing
- ▲ 6061 T6 Aluminum Impeller
- ▲ Bearing Housing is Steel Construction for Extra Rigidity
- ▲ 16 Groove Belt for Long Life
- ▲ Inlet and Outlet Flanges Available
- ▲ Enclosures for Noise Control (optional)
- ▲ Exhaust Silencer (optional)
- ▲ Operational with all Types of Motors– Washdown, Explosion Proof, High Efficiency and Hydraulic
- ▲ 100% Operational Performance and Vibration Tested
- ▲ One Year Warranty
- ▲ Water-cooled Blower Available
- ▲ 4" Discharge

| HP | A | B | C | D | E | F | G | H | J | K | L |
|-------------|----------|--------|--------|--------|--------|-------|----|--------|---------|-------|--------|
| 20 (256TC) | 26 5/16 | 11 3/8 | 10 | 27 3/8 | 20 7/8 | 8 1/2 | 26 | 19 1/2 | 13 1/8 | 5 1/2 | 11 |
| 25 (284TSC) | 27 15/16 | 11 3/8 | 9 1/2 | 27 3/8 | 20 7/8 | 8 1/2 | 26 | 19 1/2 | 12 1/16 | 5 1/2 | 11 |
| 30 (286TSC) | 28 1/16 | 11 3/8 | 9 1/2 | 27 3/8 | 20 7/8 | 8 1/2 | 26 | 19 1/2 | 13 1/8 | 5 1/2 | 11 |
| 40 (324TSC) | 31 5/8 | 11 7/8 | 10 1/2 | 28 3/8 | 21 7/8 | 9 1/2 | 27 | 20 1/2 | 14 5/8 | 6 1/4 | 12 1/2 |
| 50 (326TSC) | 31 3/4 | 11 7/8 | 12 | 28 3/8 | 21 7/8 | 9 1/2 | 27 | 20 1/2 | 14 5/8 | 6 1/4 | 12 1/2 |

| HP | Est. WGT. (lbs) |
|-------------|-----------------|
| 20 (256TC) | 366 |
| 25 (284TSC) | 491 |
| 30 (286TSC) | 503 |
| 40 (324TSC) | 636 |
| 50 (326TSC) | 695 |

Retro Kit Est. WGT. (lbs) 108

| Noise Control | With Enclosure | No Enclosure |
|---------------|----------------|--------------|
| With Silencer | 74-78 dB | 88-90 dB |
| No Silencer | 80-82 dB | 92-96 dB |

5131 Cash Road ▲ Dallas, TX 75247 ▲ P 214.631.8070 ▲ F 214.631.3673 ▲ 800.847.0380

www.republicsales.com

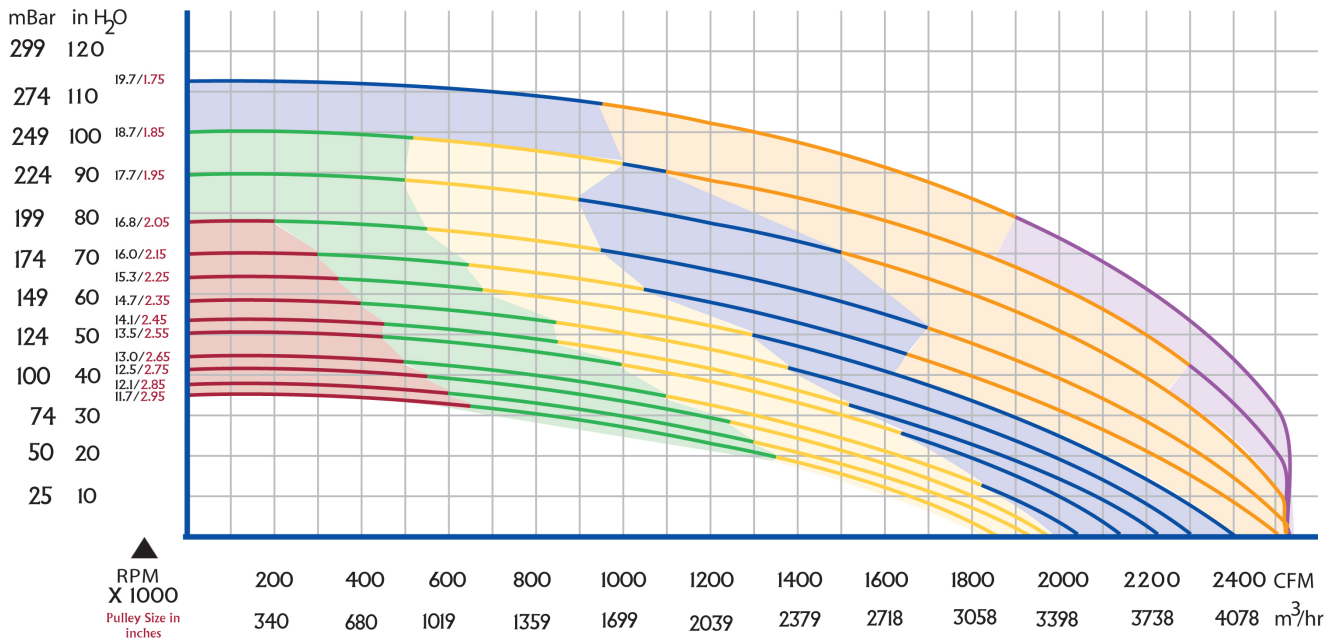


Republic Centrifugal Blower Performance Curves

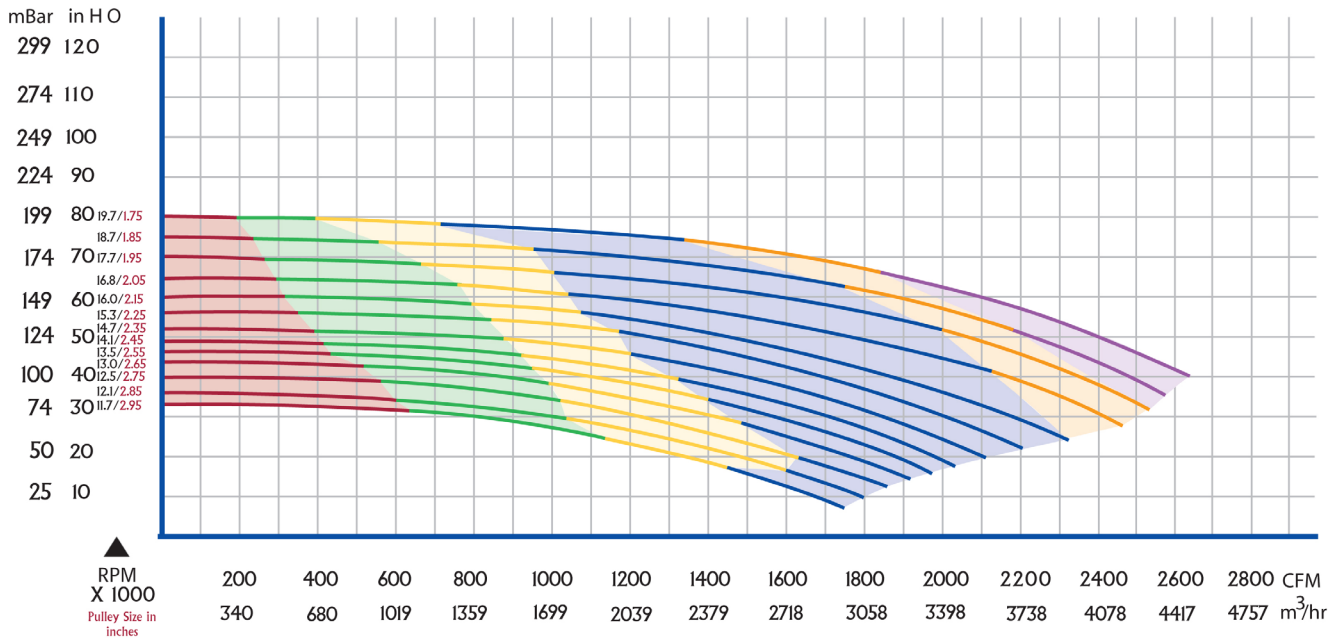
REPUBLIC
Blower Systems®

RB 2400/10-50 HP

Pressure vs. CFM



Vacuum vs. CFM



Standard cubic feet per minute, air at 14.7 psia, 68°F, 36% R.H.
 1" H₂O = .074" Hg = .036 PSIG = .57 oz = 25.4 mm H₂O

- RB 2400-10 HP
- RB 2400-15 HP
- RB 2400-20 HP
- RB 2400-30 HP
- RB 2400-40 HP
- RB 2400-50 HP

5131 Cash Road ▲ Dallas, TX 75247 ▲ P 214.631.8070 ▲ F 214.631.3673 ▲ 800.847.0380

www.republicsales.com

©2011 Republic Sales & Manufacturing
 Modified 07/11
 280-0078